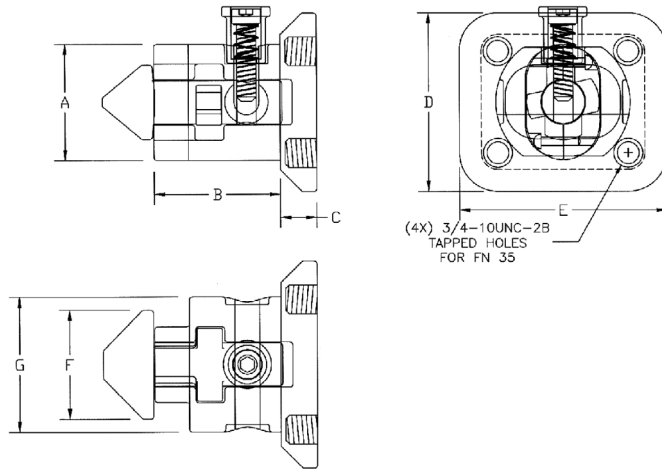
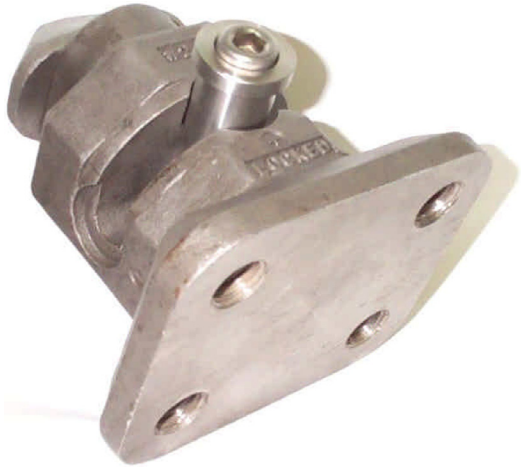
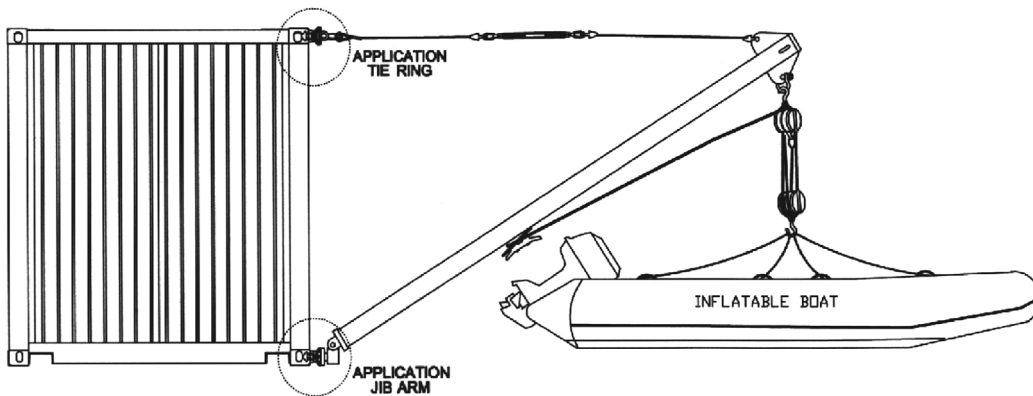


# SEA BOX<sup>®</sup>

## Horizontal Twistlock with Adapter Plate



*This item can be used to connect container accessories to the side aperture of a standard ISO corner*



### PRODUCT SPECIFICATIONS

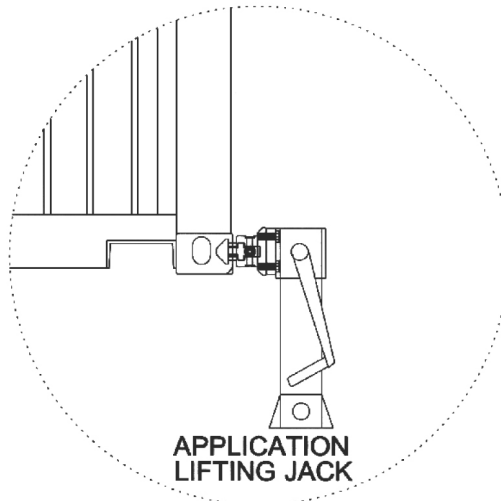
- Material Forged Steel
- Finish self colored
- Capacity safe working load 12 ton tension
- Rated capacity tension 24 tons
- Rated capacity shear 34 tons
- Rated capacity compression 20.8 tons
- Tare weight 20 lbs, 9.1kg
- (4) 3/4-10UNC tapped holes on the plate

### STANDARD PRODUCT FEATURES

- Compatible with all ISO type containers

### OPTIONAL PRODUCT FEATURES

- (4) 3/4-10UNC stainless steel bolts



APPLICATION LIFTING JACK

### DIMENSIONAL INFORMATION

|        | A     | B     | C       | D    | E     | F     | G    |
|--------|-------|-------|---------|------|-------|-------|------|
| Inches | 2.95" | 2.95" | 0.9375" | 4.5" | 5.25" | 2.83" | 3.5" |
| Metric | 75    | 75    | 24      | 115  | 133   | 72    | 89   |

ALL DIMENSIONS AND WEIGHTS ARE NOMINAL AND SUBJECT TO MINOR VARIATIONS THAT MAY OCCUR DURING THE MANUFACTURING PROCESS

**SB241**  
 Horizontal Twistlock with Adapter Plate

000000-R00

ISO 9001:2008



CERTIFIED QUALITY  
MANAGEMENT SYSTEM