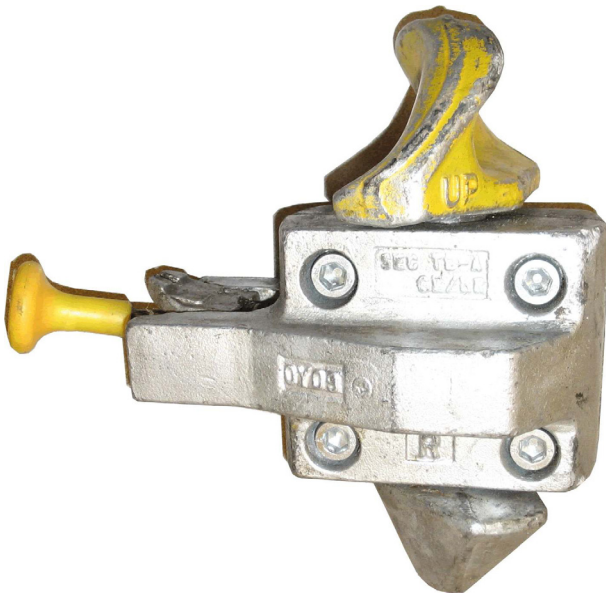


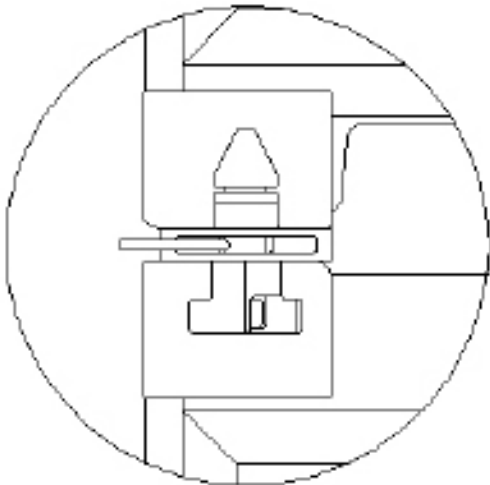
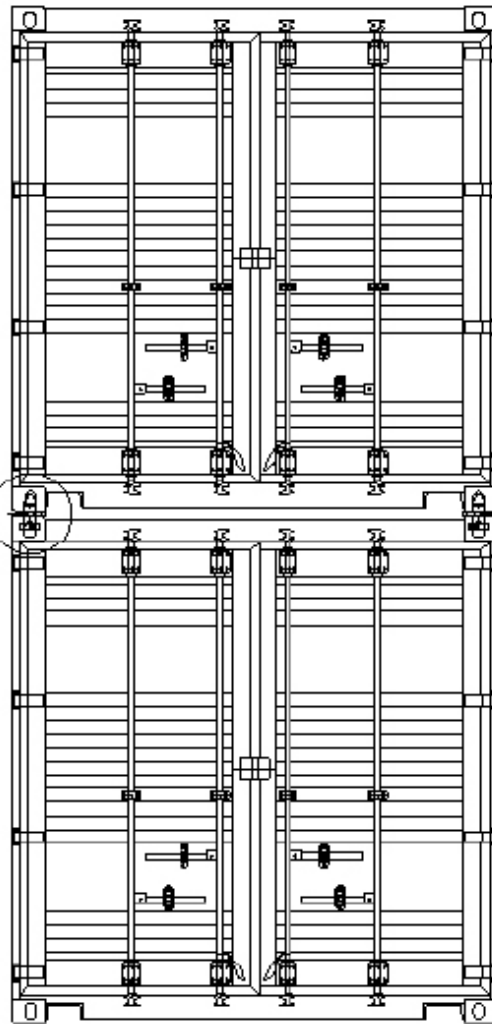


Vertical Twistlock Stacker



This item can be used to stack ISO Containers

APPLICATION: Vertical Twistlock Stacker



DETAIL A

PRODUCT SPECIFICATIONS

Tension Breaking Load:	Shear Breaking Load	Lifting SWL	Compression SWL	Weight
50 (M.ton)	40 (M.ton)	10 (M.ton)	100 (M.ton)	6.7kg

ALL DIMENSIONS AND WEIGHTS ARE NOMINAL AND SUBJECT TO MINOR VARIATIONS THAT MAY OCCUR DURING THE MANUFACTURING PROCESS

