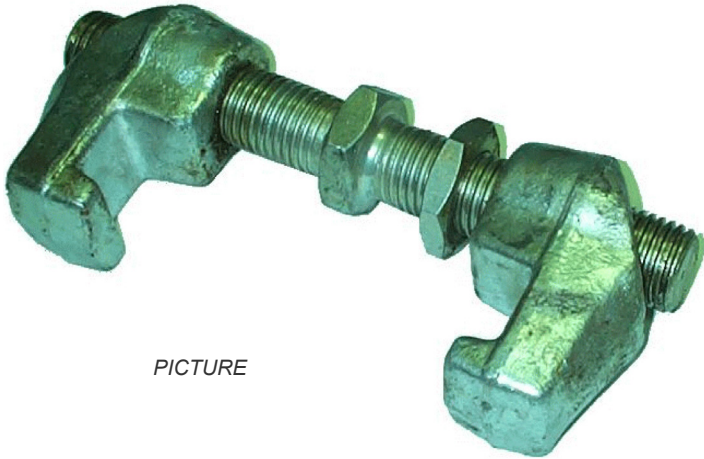




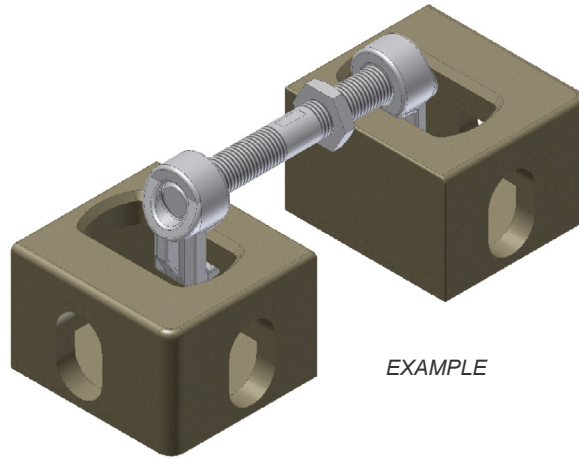
SEA BOX[®]

Bridge Fitting

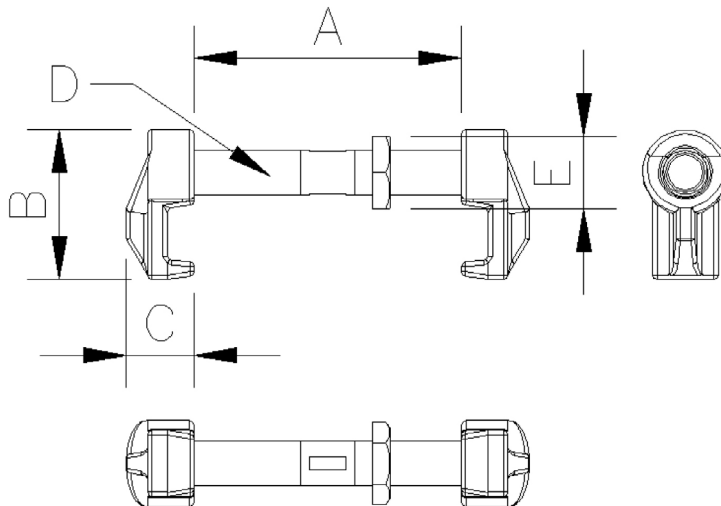
SB5400
Bridge Fitting



PICTURE



EXAMPLE



PRODUCT FEATURES

STANDARD FEATURES

- Hooks-drop forged steel
- Finish hot dip galvanized
- Capacity safe working load 10 tons
- Compatible with all ISO type containers

ORDER INFORMATION

- SB5400-10 = 10 ton (picture shown)

000000-R00

Bridge Fitting	DIMENSIONAL INFORMATION				
	A	B	C	D (thread)	E
Ft in	7" - 10 1/8"	4 3/16"	1 29/32"	1.25 - 7 UNC	2"
Metric	179 - 259	106.4	48.3	-	50.4
SPECIFICATIONS					
Tare Weight (10 ton)					
Lbs	10.1				
Kgs	4.6				

ALL DIMENSIONS AND WEIGHTS ARE NOMINAL AND SUBJECT TO MINOR VARIATIONS THAT MAY OCCUR DURING THE MANUFACTURING PROCESS

ISO 9001:2008



CERTIFIED QUALITY
MANAGEMENT SYSTEM