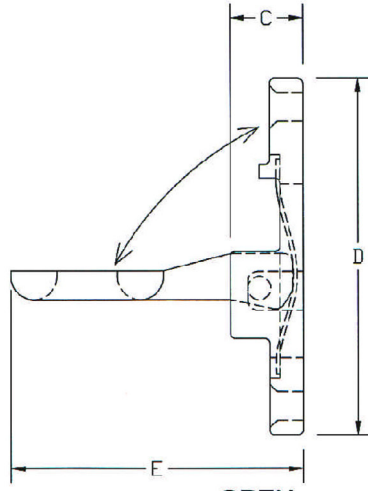
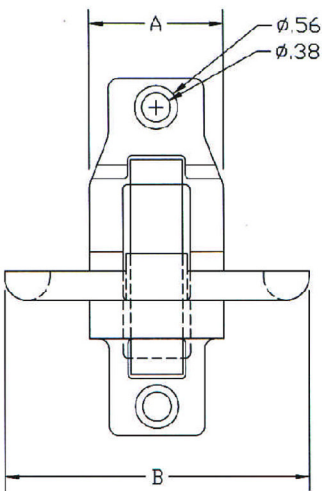
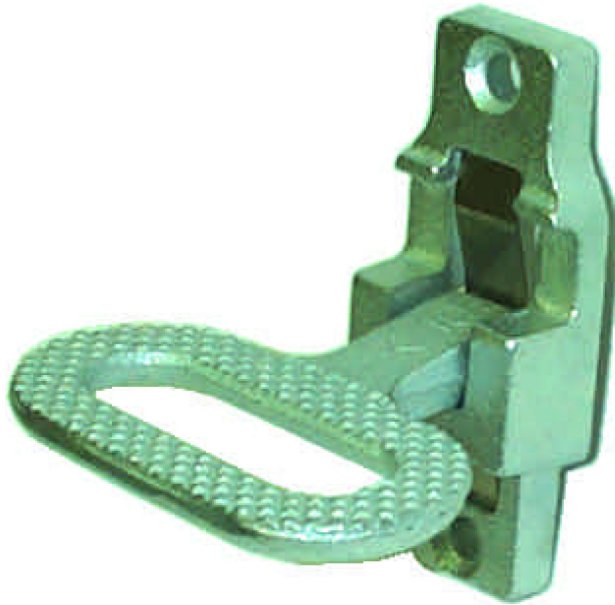




SEA BOX®

Folding Step

SB5700
 Folding Step



OPEN

CLOSED



This item can be used to access a container roof

Application

000000-R00

PRODUCT FEATURES

SPECIFICATIONS

- Forged steel
- Finish zinc
- Tare weight 1.25 lbs, .6kg

STANDARD FEATURES

- Spring hold assists in open or closed position without rattle
- Heavy-duty grip
- 1" projection when closed
- 4" projection when open

ISO 9001:2008



CERTIFIED QUALITY
MANAGEMENT SYSTEM

DIMENSIONAL INFORMATION

	A	B	C	D	E
Inches	1.75"	4"	0.95"	3.88"	3.83"
Metric	44.5	102	24	99	97

ALL DIMENSIONS AND WEIGHTS ARE NOMINAL AND SUBJECT TO MINOR VARIATIONS THAT MAY OCCUR DURING THE MANUFACTURING PROCESS