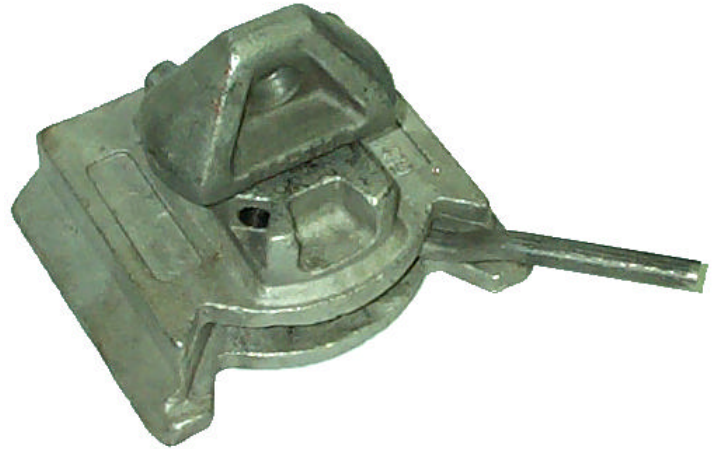


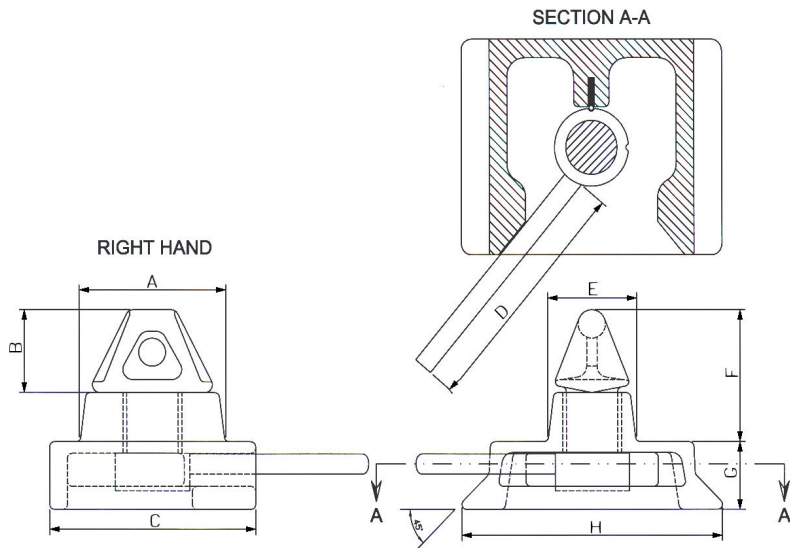
# Sea Box, Inc.

**CORPORATE OFFICE**  
 802 Industrial Hwy.  
 East Riverton, NJ 08077-1910  
 Tel: (856) 303-1101  
 Fax: (856) 303-1501  
[www.seabox.com](http://www.seabox.com)  
 e-mail: [sales@seabox.com](mailto:sales@seabox.com)



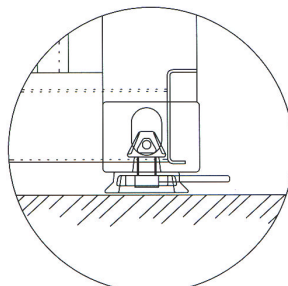
## DECK MOUNT TWISTLOCK

This item can be used to secure containers to the ground or flat surface.

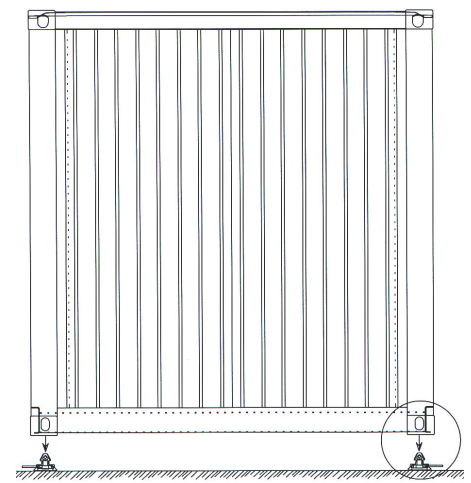


- SPECIFICATIONS —
- ▼ Material 316 stainless steel
  - ▼ Finish self color
  - ▼ Capacity safe working load 75 tons
  - ▼ Rated capacity tension 34 tons
  - ▼ Rated Capacity shear 45 tons
  - ▼ Rated capacity compression 150 tons
  - ▼ Tare weight 13.9 lbs, 6.3kg
- FEATURES —
- ▼ Compatible with all ISO type containers

TWISTLOCK	DIMENSIONAL INFORMATION							
	A	B	C	D	E	F	G	H
INCHES	3.94"	2.32"	5.51"	6.3"	2.36"	3.58"	1.65"	6.89"
METRIC	100	59	140	160	60	91	42	175



APPLICATION  
WELD DOWN



APPLICATION  
WELD DOWN

**PART # SB1470SS**