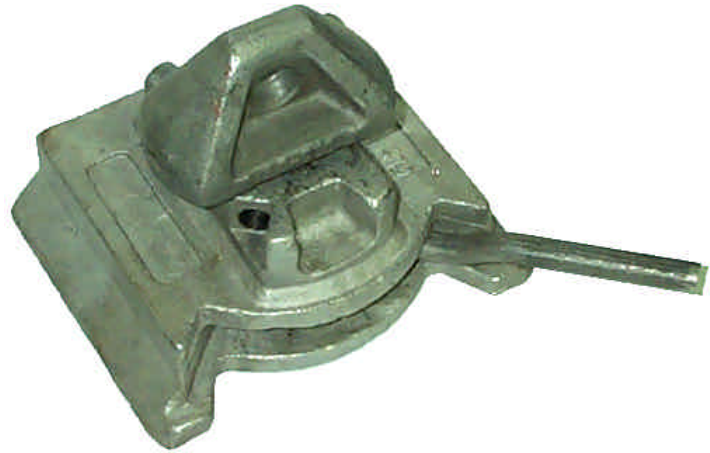


Sea Box, Inc.

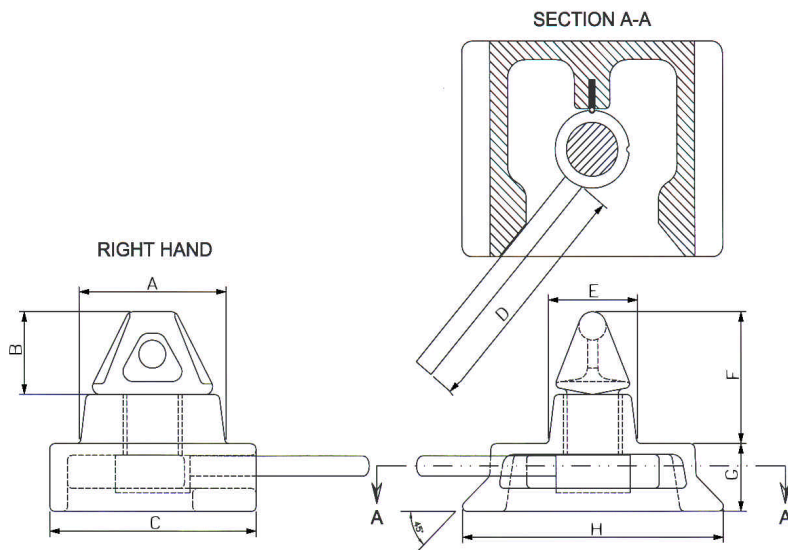
CORPORATE OFFICE

802 Industrial Hwy.
 East Riverton, NJ 08077-1910
 Tel: (856) 303-1101
 Fax: (856) 303-1501
www.seabox.com
 e-mail: sales@seabox.com



Deck Mount Twistlock

This item can be used to secure containers to the ground or flat surface



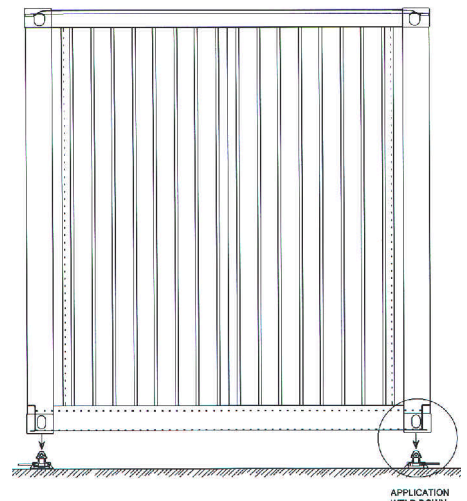
— SPECIFICATIONS —

- ▼ Cone-forged steel
- ▼ Body-ductile iron
- ▼ Finish hot dip galvanized
- ▼ Capacity safe working load 75 tons
- ▼ Rated capacity tension 34 tons
- ▼ Rated Capacity shear 45 tons
- ▼ Rated capacity compression 150 tons
- ▼ Tare weight 13.9 lbs, 6.3kg

— FEATURES —

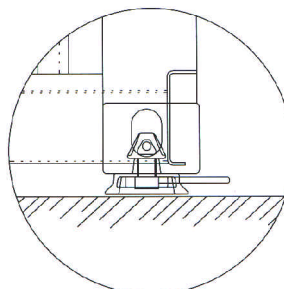
- ▼ Compatible with all ISO type containers

TWISTLOCK	DIMENSIONAL INFORMATION							
	A	B	C	D	E	F	G	H
INCHES	3.94"	2.32"	5.51"	6.3"	2.36"	3.58"	1.65"	6.89"
METRIC	100	59	140	160	60	91	42	175



APPLICATION WELD DOWN

Order Information
 SB1470R = Right Hand (picture shown)
 SB1470L = Left Hand



APPLICATION WELD DOWN

PART # SB1470