

Sea Box, Inc.

CORPORATE OFFICE
 802 Industrial Hwy.
 East Riverton, NJ 08077-1910
 Tel: (856) 303-1101
 Fax: (856) 303-1501
www.seabox.com
 e-mail: sales@seabox.com



Horizontal Twistlock

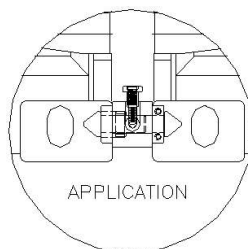
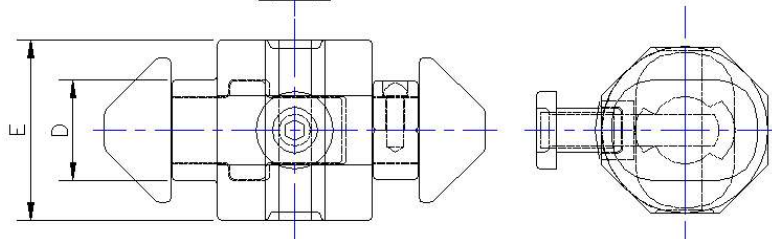
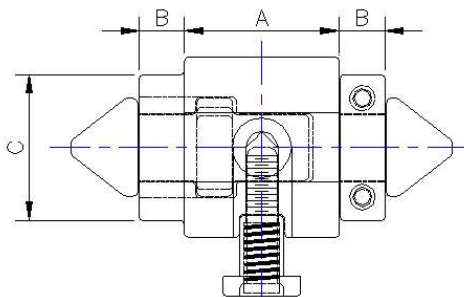


— SPECIFICATIONS —

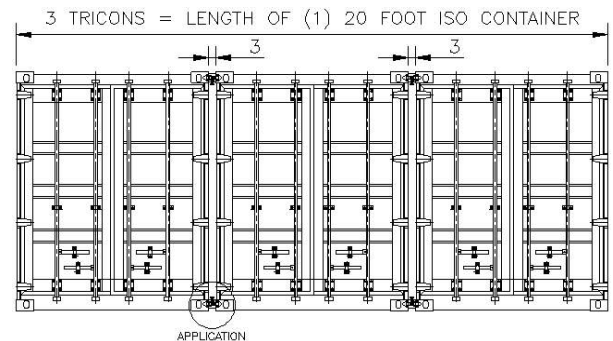
- ▶ Material forged steel
- ▶ Finish hot dipped galvanized
- ▶ Capacity safe working load 12 ton tension
- ▶ Rated capacity tension 27 tons
- ▶ Rated capacity shear 8.3 tons
- ▶ Rated capacity compression 20.8 tons
- ▶ Tare weight 10.5 lbs, 4.76 kg

— FEATURES —

- ▶ Compatible with all ISO type containers



| TWISTLOCK | DIMENSIONAL INFORMATION | | | | |
|-----------|-------------------------|------|-------|-------|------|
| | A | B | C | D | E |
| INCHES | 3" | .88" | 2.75" | 1.88" | 3.5" |
| METRIC | 76 | 22.2 | 70 | 47.6 | 89 |



PART # SB341