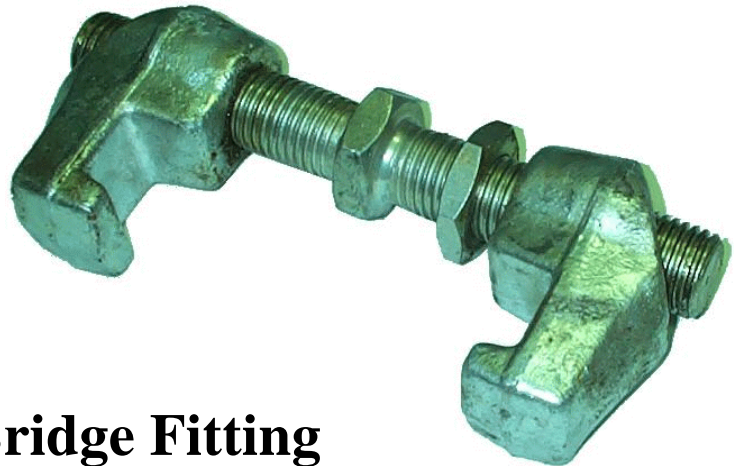
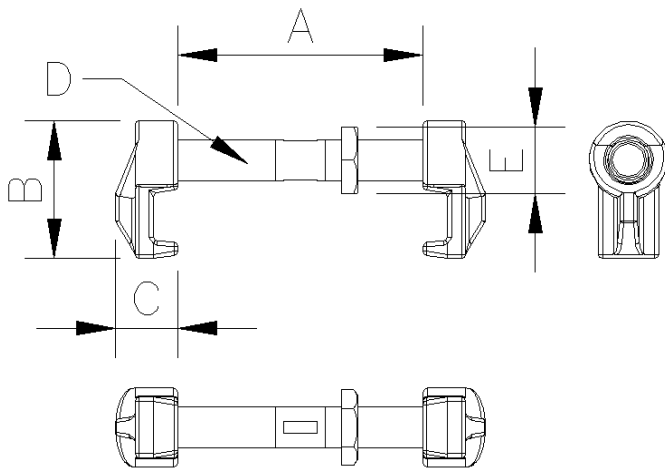


# Sea Box, Inc.

**CORPORATE OFFICE**  
 802 Industrial Hwy.  
 East Riverton, NJ 08077-1910  
 Tel: (856) 303-1101  
 Fax: (856) 303-1501  
[www.seabox.com](http://www.seabox.com)  
 e-mail: [sales@seabox.com](mailto:sales@seabox.com)



## Bridge Fitting



### — SPECIFICATIONS —

- ▼ Hooks-drop forged steel
- ▼ Finish hot dip galvanized
- ▼ Capacity safe working load 7 & 10 tons
- ▼ Tare weight 7.7 lbs, 3.5kg (7 ton)
- ▼ Tare weight 10.1 lbs, 4.6kg (10 ton)

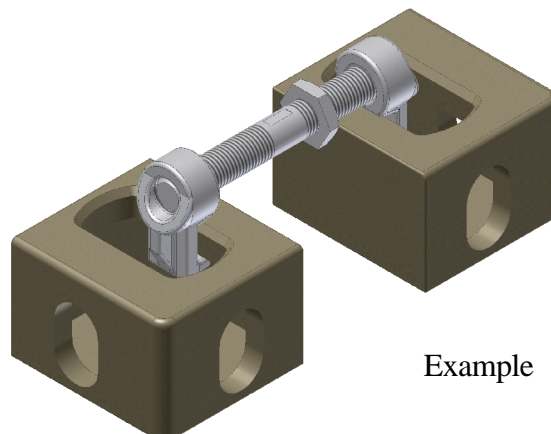
### — FEATURES —

- ▼ Compatible with all ISO type containers

BRIDGE FITTING	DIMENSIONAL INFORMATION				
	A	B	C	D (thread)	E
INCHES	7" - 10.125	4.19"	1.9"	1.25 - 7 UNC	2"
METRIC	179 - 259	106.4	48.3	-	50.4

### Order Information

SB5400-7 = 7 ton (example shown)  
 SB5400-10 = 10 ton (picture shown)



**PART # SB5400**