

Sea Box, Inc.

CORPORATE OFFICE
 802 Industrial Hwy.
 East Riverton, NJ 08077-1910
 Tel: (856) 303-1101
 Fax: (856) 303-1501
www.seabox.com
 e-mail: sales@seabox.com



Swivel Polyurethane Caster

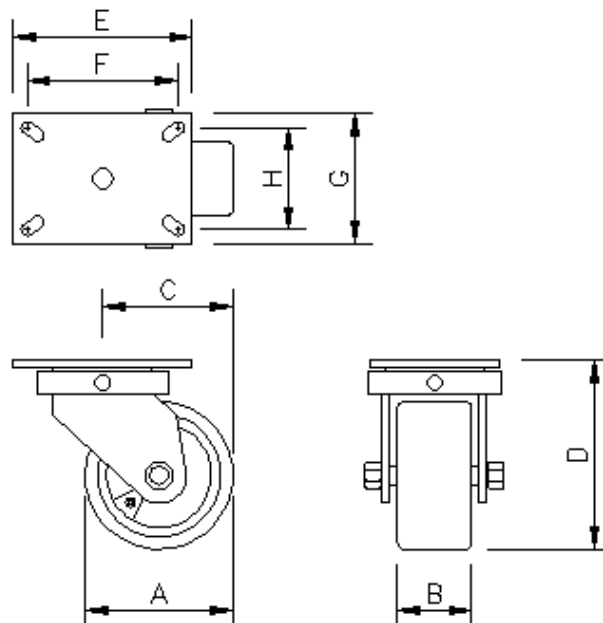
CASTER	DIMENSIONAL INFORMATION							
	A	B	C	D	E	F	G	H
INCHES	6"	3"	5 1/16"	7 3/4"	7 1/4"	7 1/8"	5 9/32"	4 1/8"
METRIC	152.4	76.2	128.6	196.9	184.2	155.6	134.1	104.8

— FEATURES —

- ▼ Zinc plated finish
- ▼ 3/4" dia. Axle bolt w/ locknut
- ▼ Zerk grease fitting in axle & raceway
- ▼ Capacity max working load 6,000 lbs.
- ▼ Top plate & yoke drop drop forged steel
- ▼ Polyurethane over steel wheel
- ▼ Rotates full 360 degrees

— Options —

- ▼ Position lock
- ▼ Wheel brake
- ▼ Deck mount twistlock



PART # SB5900