

# Sea Box, Inc.®

**CORPORATE OFFICE**  
 802 Industrial Hwy.  
 East Riverton, NJ 08077-1910  
 Tel: (856) 303-1101  
 Fax: (856) 303-1501  
[www.seabox.com](http://www.seabox.com)  
 e-mail: [sales@seabox.com](mailto:sales@seabox.com)



## 10' X 8' 0" Refrigerated ISO Cargo Container

| 10' Refrigerated | Length    |           | Height   |            | Width    |          | Door Opening |       |
|------------------|-----------|-----------|----------|------------|----------|----------|--------------|-------|
|                  | Exterior  | Interior  | Exterior | Interior   | Exterior | Interior | Height       | Width |
| Feet/Inches      | 9' 9 3/4" | 7' 4 3/4" | 8' 0"    | 6' 10 1/2" | 8' 0"    | 7' 4"    | 6' 10 1/2"   | 7' 4" |
| Metric           | 2,991     | 2,254     | 2,438    | 2,096      | 2,438    | 2,235    | 2,096        | 2,235 |

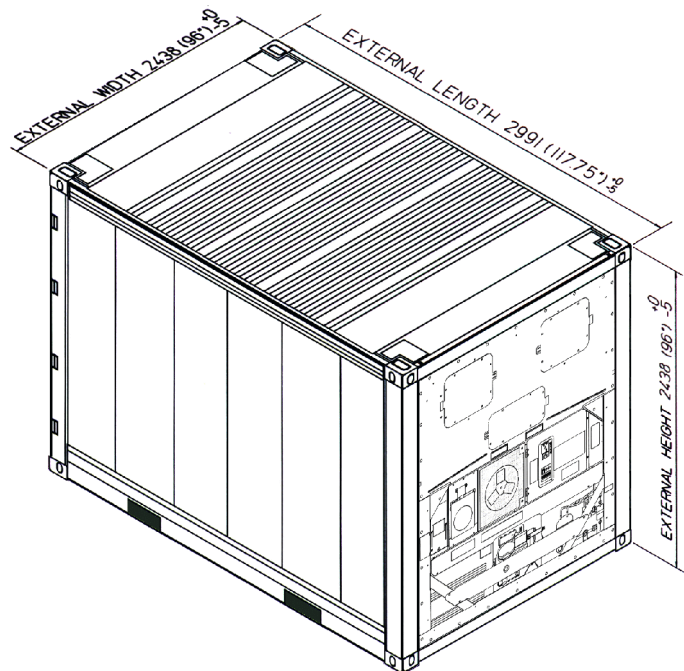
| 10' Refrigerated | Tare Weight | Payload | Gross Weight | Cubic Capacity |
|------------------|-------------|---------|--------------|----------------|
| Lbs.             | 4,275       | 22,180  | 26,455       | 373 Cu. Ft.    |
| Kg.              | 1,940       | 10,060  | 12,000       | 10.6 Cu. M.    |

\* All dimensions are average. Exact specifications for each model are available.

**ALL NEW CONTAINERS ARE MANUFACTURED TO THE LATEST ISO STANDARDS FOR 9 HIGH STACKING**

### — STANDARD FEATURES —

- ▼ Aluminum, steel or sides
- ▼ Double full opening swing doors on one end
- ▼ Forklift pockets (on some 10' units)
- ▼ Aluminum T-grade floors
- ▼ Most refrigerated machinery features electrical supply as follows: 208/230, 380/460 Volts AC, 3 phase, 50 or 60 cycle
- ▼ Temperature range from -20° F to 70° F



**PART # SB532.0**