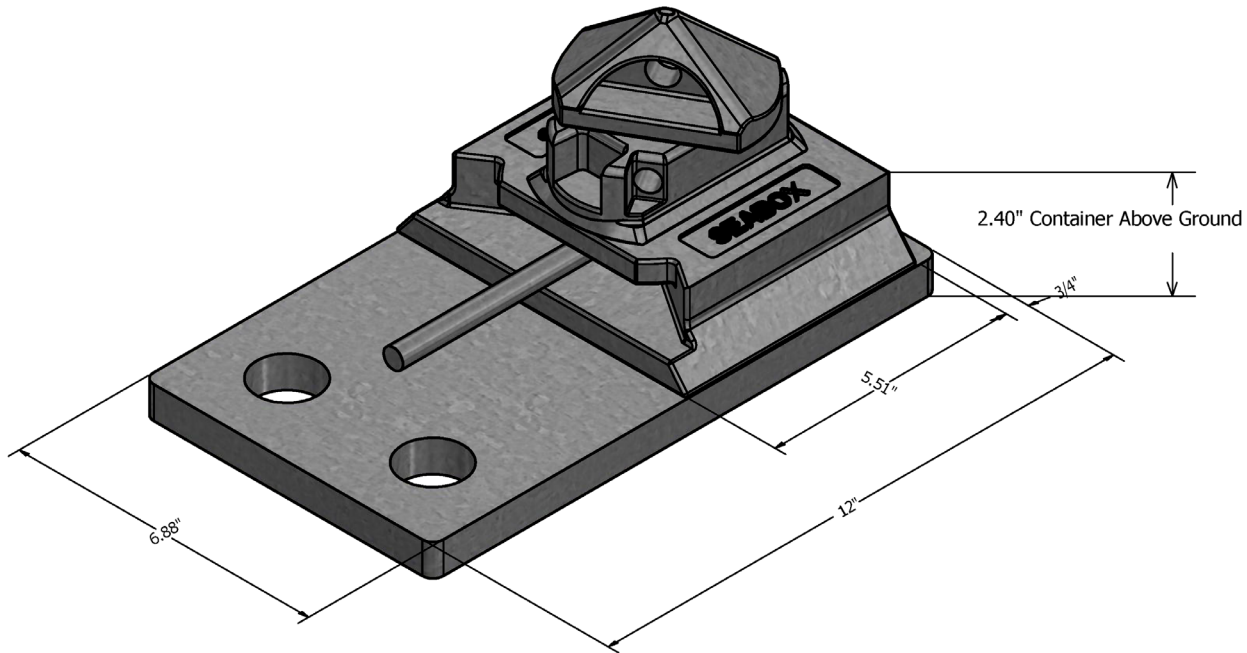




## Deck Mount Twistlock with End Plate, 2 Hole



### STANDARD FEATURES

- 12" x 6.88" x 3/4" steel plate
- (2) Left hand per pack
- Compatible with all ISO type containers, as single shelters or shelters positioned side to side
- Designed with a compact steel base, which is accessible after the shelter is on top of the twistlock. Suitable for structures one or two stories high when secured properly to a foundation

### OPTIONAL FEATURES

- SB3417 Container Tie Down to Concrete Hardware Package
- SB3419 Manual Dispenser for Anchor Structural Adhesive
- SB1470.SK2 Deck Mount Twistlock, Shim Kit, 2 Hole
- SB1470.RP Deck Mount Twistlock with Raised Plate

	LENGTH	HEIGHT	WIDTH	WEIGHT
Imperial	12.00"	2.40"	6.88"	45 lb
Metric	304.8	61	174.8	19.06 kg

**SB1470.EP**  
 Deck Mount Twistlock with End Plate, 2 Hole

062916-R01

ISO 9001



CERTIFIED QUALITY  
MANAGEMENT SYSTEM

ALL DIMENSIONS AND WEIGHTS ARE NOMINAL AND SUBJECT TO MINOR VARIATIONS THAT MAY OCCUR DURING THE MANUFACTURING PROCESS