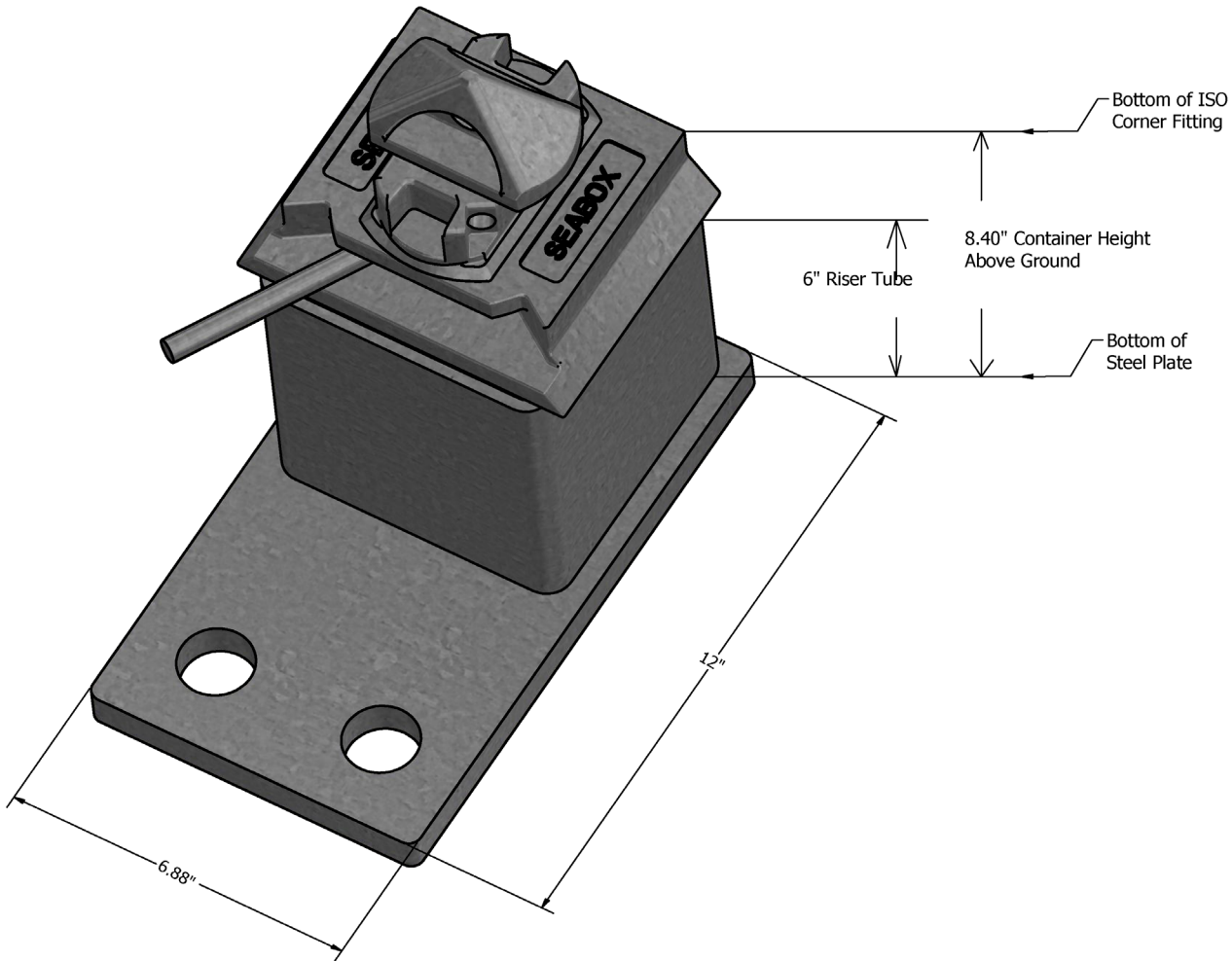




SB1470.REP

Deck Mount Twistlock with Raised End Plate, 2 Hole

Deck Mount Twistlock with Raised End Plate, 2 Hole



STANDARD FEATURES

- 12" x 6.88" x 3/4" plate
- Compatible with all ISO type containers
- When properly secured to a foundation, this can be used for shelters stacked up to 4 stories high

AVAILABLE HEIGHTS

- Riser tubes from 1" to 24"
- To generate 3.5" to 26.5" container height above ground
- SB1470.SK2 Deck Mount Twistlock, Shim Kit, 2 Hole

	LENGTH	HEIGHT	WIDTH	WEIGHT
Imperial	12.00"	8.40"	6.88"	47 lb
Metric	304.8	213.4	174.8	20.87 kg

062916-R01

ISO 9001



CERTIFIED QUALITY MANAGEMENT SYSTEM

ALL DIMENSIONS AND WEIGHTS ARE NOMINAL AND SUBJECT TO MINOR VARIATIONS THAT MAY OCCUR DURING THE MANUFACTURING PROCESS