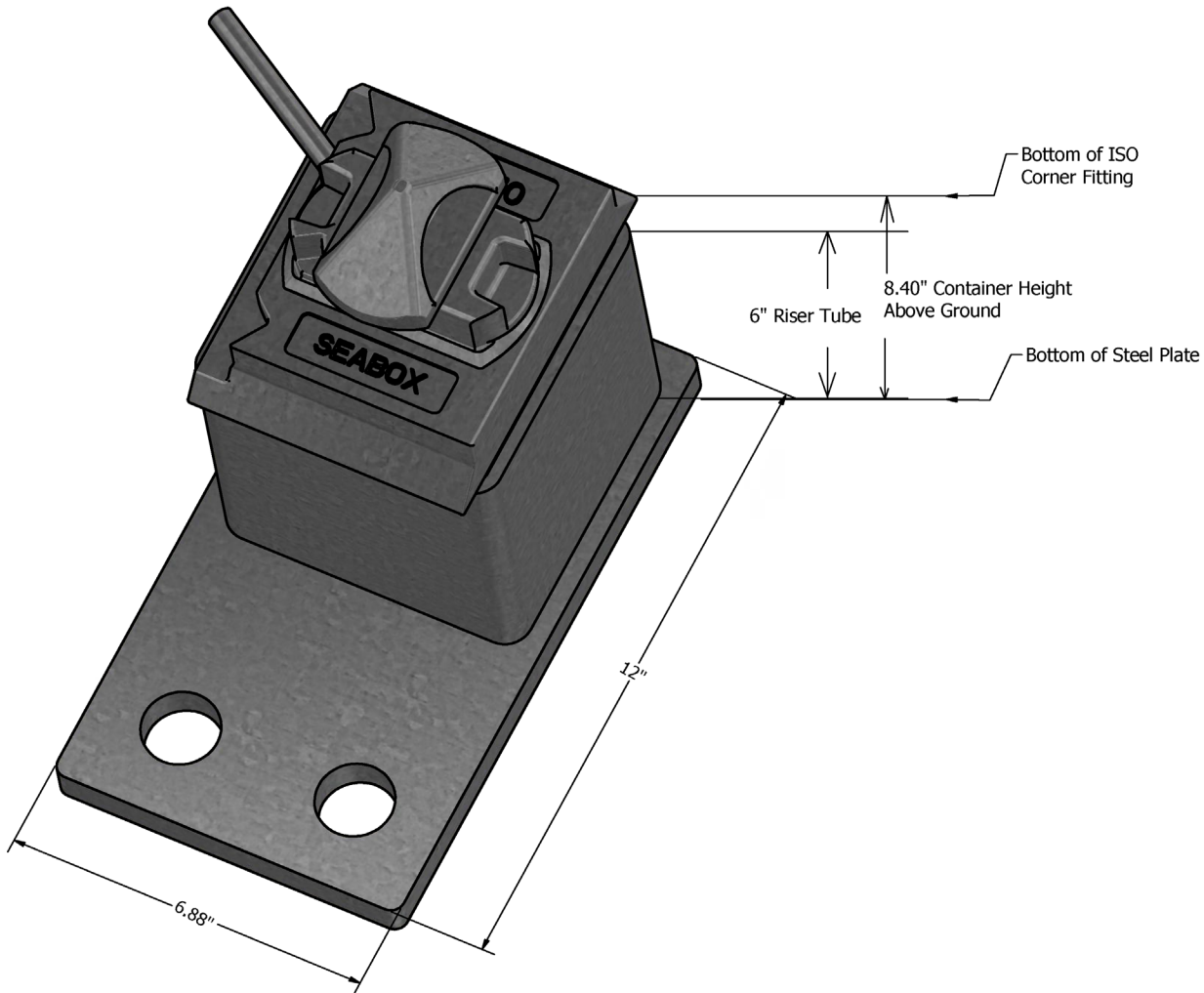




SEA BOX[®]

SB1470-RSP
Deck Mount Twistlock with Raised Side Plate, 2 Hole

Deck Mount Twistlock with Raised Side Plate, 2 Hole



STANDARD FEATURES

- 12" x 6.88" x 3/4" plate
- Compatible with all ISO type containers
- When properly secured to a foundation, this can be used for shelters stacked up to 4 stories high

AVAILABLE HEIGHTS

- Riser tubes from 1" to 24"
- To generate 3.5" to 26.5" container height above ground
- SB1470.SK2 Deck Mount Twistlock, Shim Kit, 2 Hole

	LENGTH	HEIGHT	WIDTH	WEIGHT
Imperial	12.00"	8.40"	6.88"	47 lb
Metric	304.8	213.4	174.8	20.87 kg

ALL DIMENSIONS AND WEIGHTS ARE NOMINAL AND SUBJECT TO MINOR VARIATIONS THAT MAY OCCUR DURING THE MANUFACTURING PROCESS

062916-R01

ISO 9001



CERTIFIED QUALITY
MANAGEMENT SYSTEM