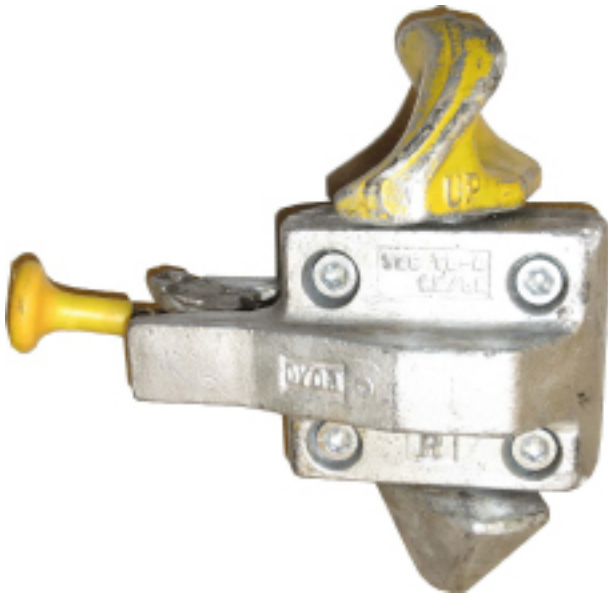




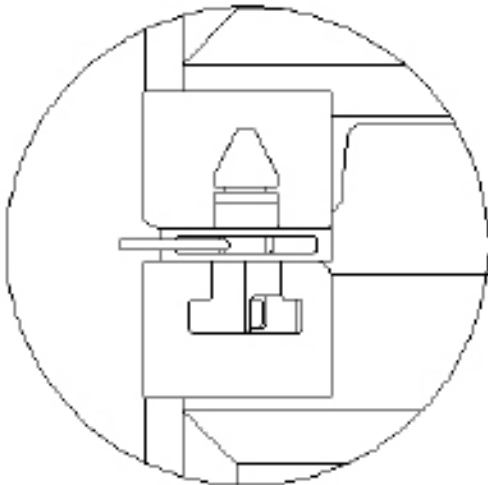
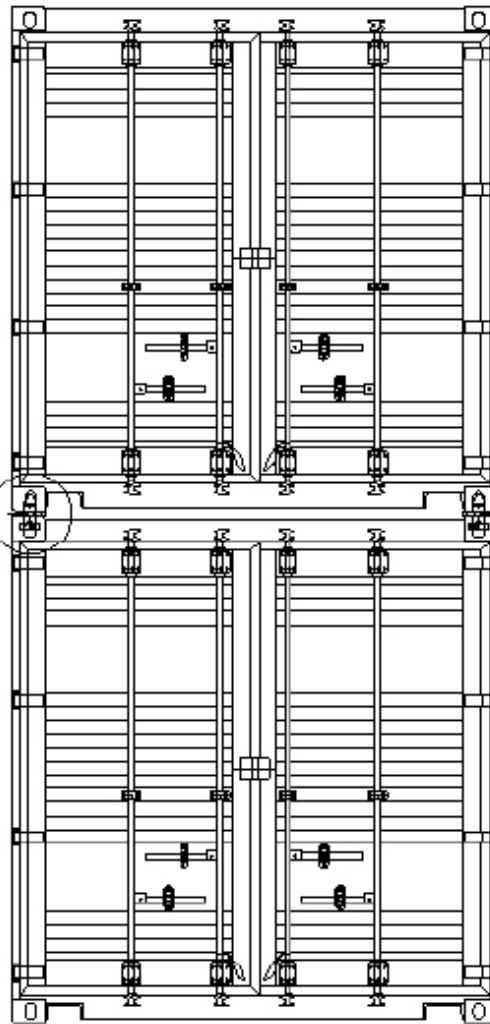
Vertical Twistlock Stacker

SB441
Vertical Twistlock Stacker



This item can be used to stack ISO Containers

APPLICATION: Vertical Twistlock Stacker



DETAIL A

000000-R00

ISO 9001



CERTIFIED QUALITY MANAGEMENT SYSTEM

CONTRACT # GS-02F-0024P
GSA Advantage![™]

PRODUCT SPECIFICATIONS				
Tension Breaking Load:	Shear Breaking Load	Lifting SWL	Compression SWL	Weight
50 (M.ton)	40 (M.ton)	10 (M.ton)	100 (M.ton)	6.7kg

ALL DIMENSIONS AND WEIGHTS ARE NOMINAL AND SUBJECT TO MINOR VARIATIONS THAT MAY OCCUR DURING THE MANUFACTURING PROCESS