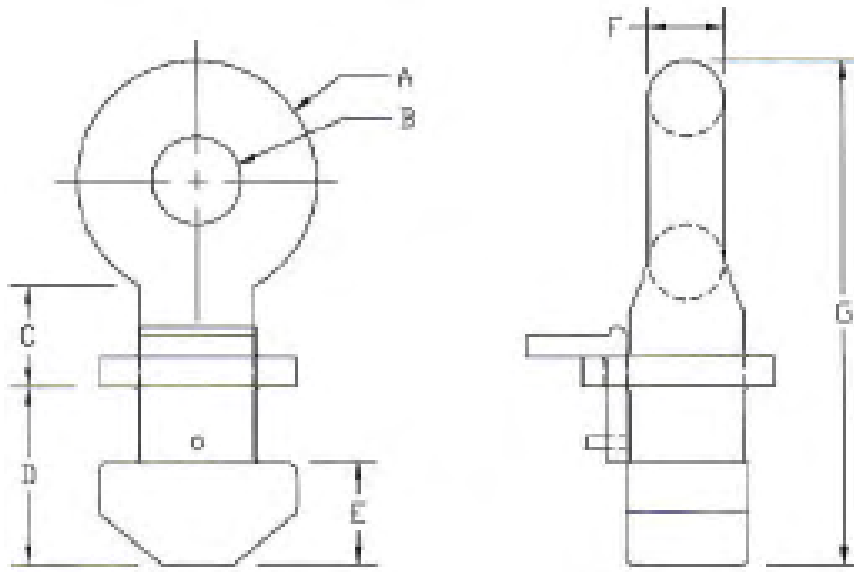
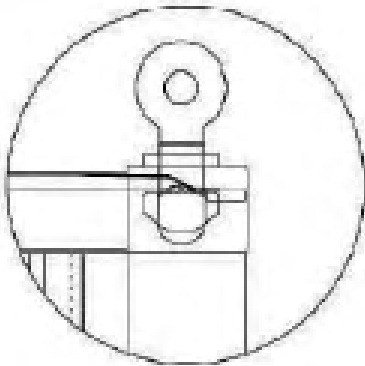


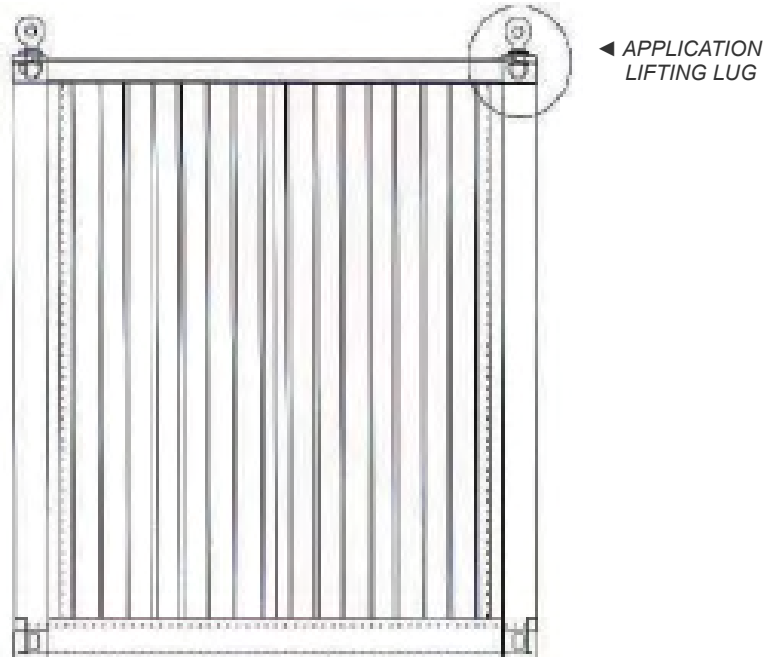
ISO Lifting Lug



This item can be used to lift containers when a forklift has limited access to the container forklift pockets



APPLICATION LIFTING LUG



NSN #: 8145-01-623-4570

STANDARD PRODUCT FEATURES

- Forged Steel
- Capacity safe working load 40 Tons
- Compatible with all ISO type Containers
- High Strength Construction
- Designed for lifting containers when the spreader bar can not be properly aligned
- Locking ring prevents accidental turning after installation

DIMENSIONAL INFORMATION

	A	B	C	D	E	F	G	TARE WEIGHT
Inches	4.75" D	1.75" D	2"	3.5"	2"	1.5"	10"	16 Lbs
Metric	121	45	51	89	51	38	254	7.28 Kg

ALL DIMENSIONS AND WEIGHTS ARE NOMINAL AND SUBJECT TO MINOR VARIATIONS THAT MAY OCCUR DURING THE MANUFACTURING PROCESS

091913-R00

ISO 9001:2008



CERTIFIED QUALITY MANAGEMENT SYSTEM