

Sea Box, Inc.

CORPORATE OFFICE
 802 Industrial Hwy.
 East Riverton, NJ 08077-1910
 Tel: (856) 303-1101
 Fax: (856) 303-1501
www.seabox.com
 e-mail: sales@seabox.com



Horizontal Twistlock

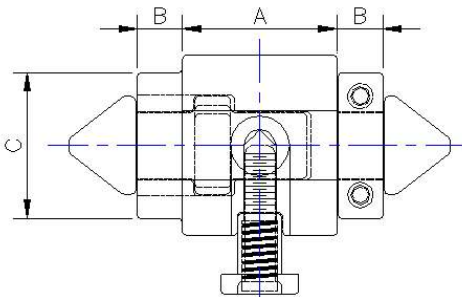


— SPECIFICATIONS —

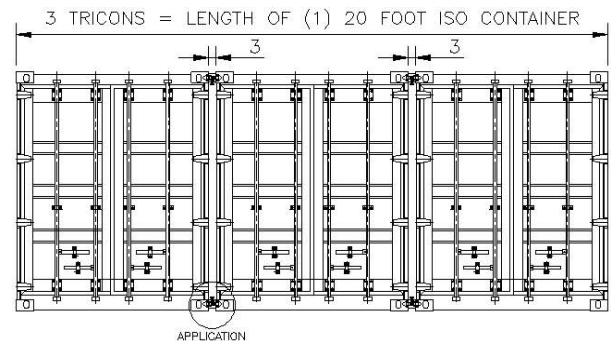
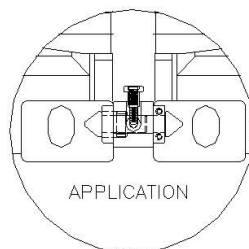
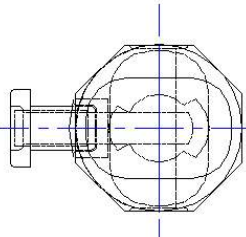
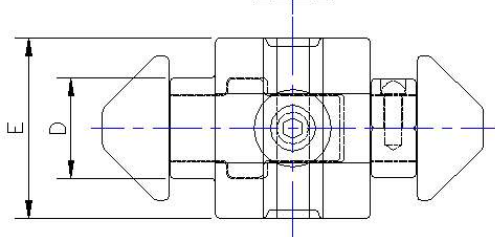
- ▶ Material forged steel
- ▶ Finish hot dipped galvanized
- ▶ Capacity safe working load 12 ton tension
- ▶ Rated capacity tension 27 tons
- ▶ Rated capacity shear 8.3 tons
- ▶ Rated capacity compression 20.8 tons
- ▶ Tare weight 10.5 lbs, 4.76 kg

— FEATURES —

- ▶ Compatible with all ISO type containers



TWISTLOCK	DIMENSIONAL INFORMATION				
	A	B	C	D	E
INCHES	3"	.88"	2.75"	1.88"	3.5"
METRIC	76	22.2	70	47.6	89



PART # SB2341